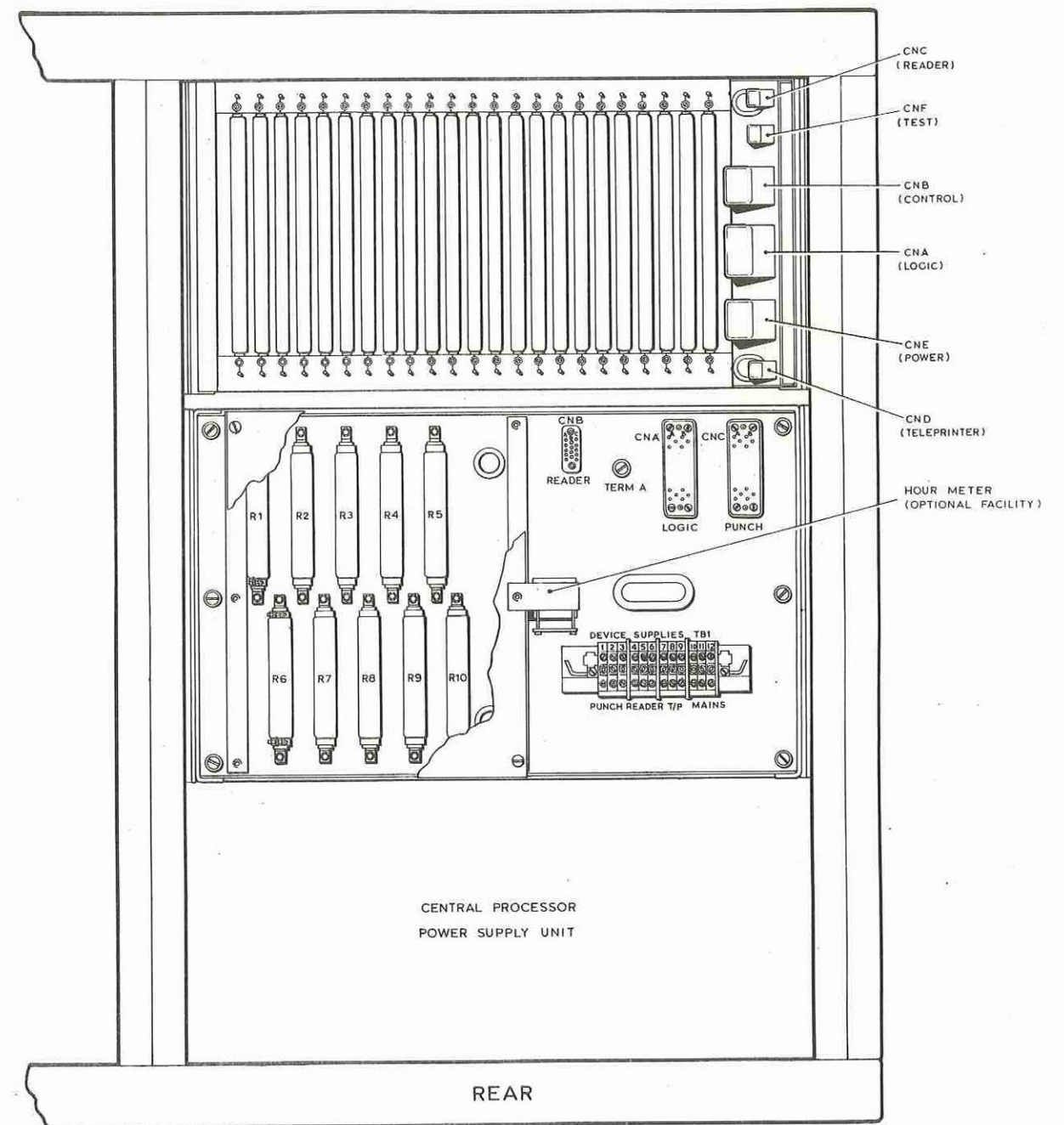
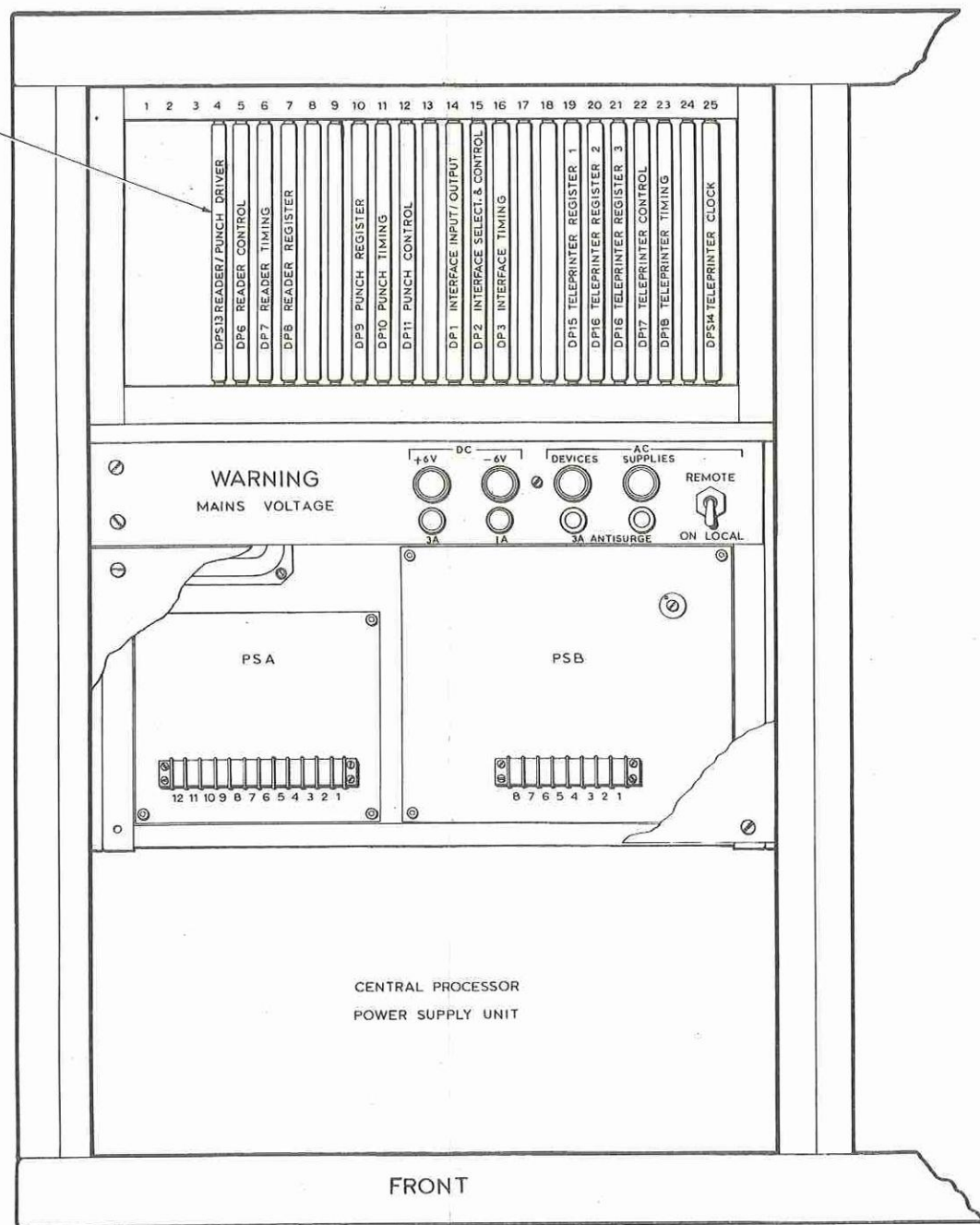
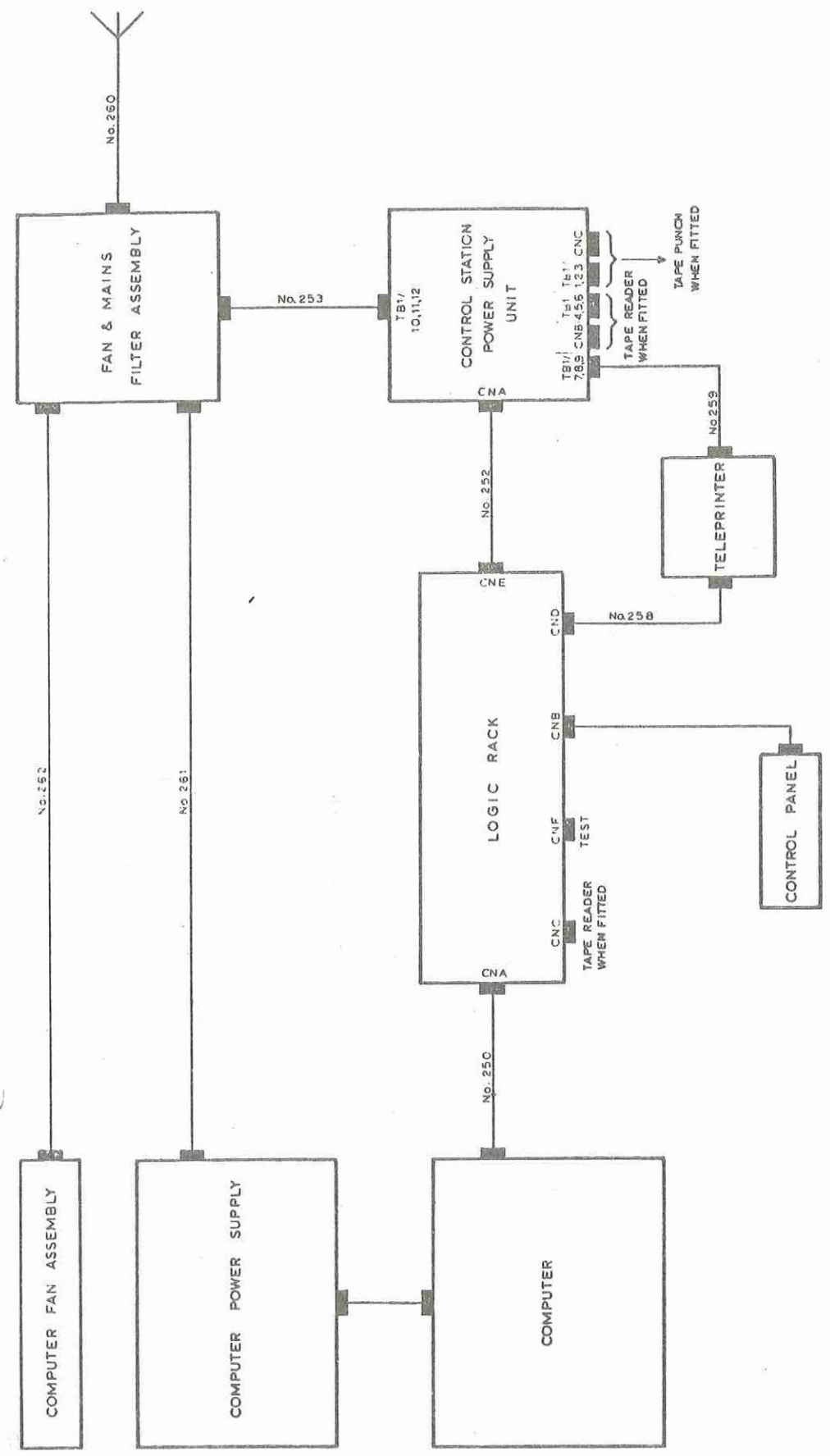


BOARD POSITIONS





TELEPRINTER STATION CONNECTIONS

Figure 2 (ISSUE 2)

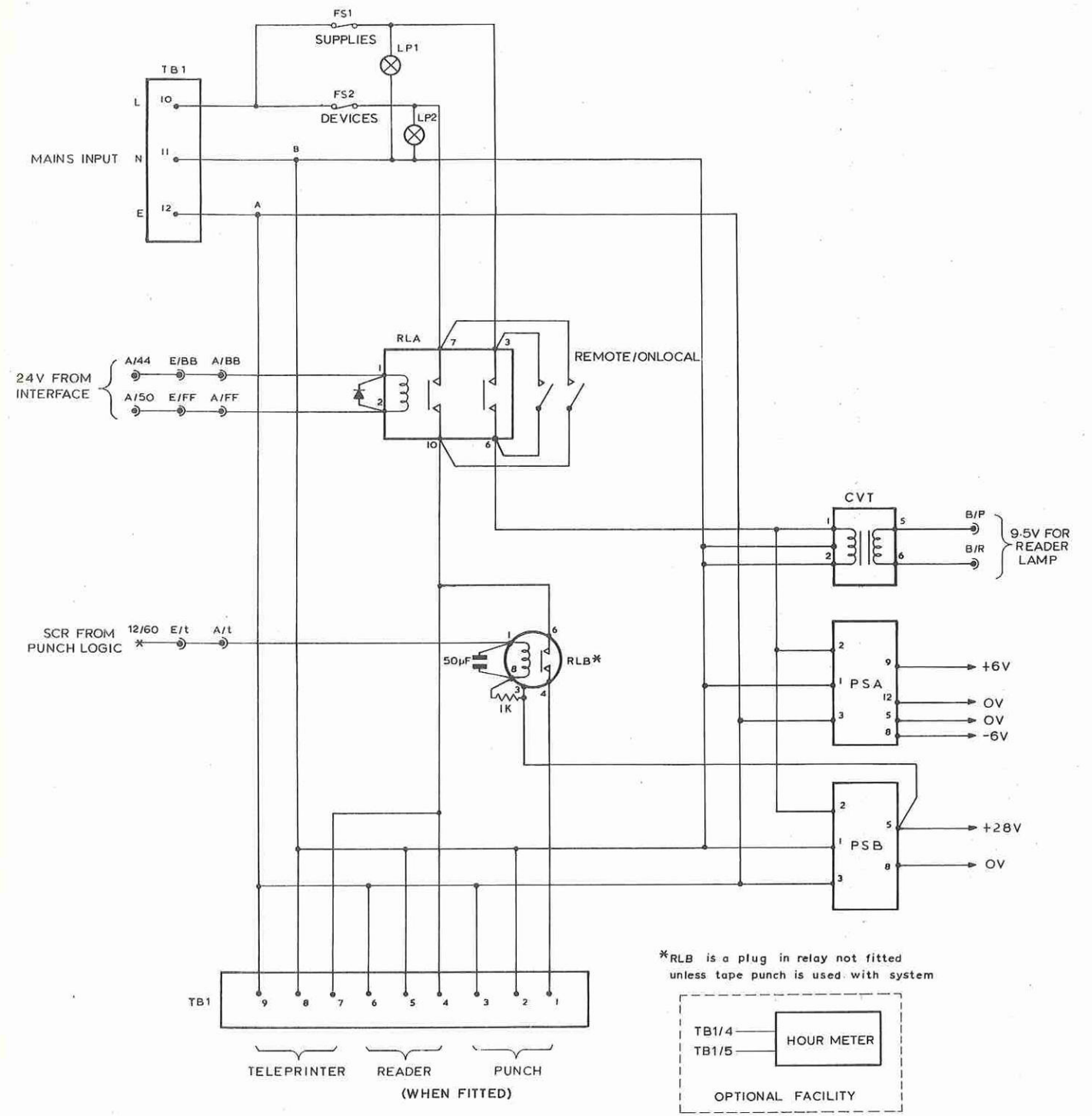
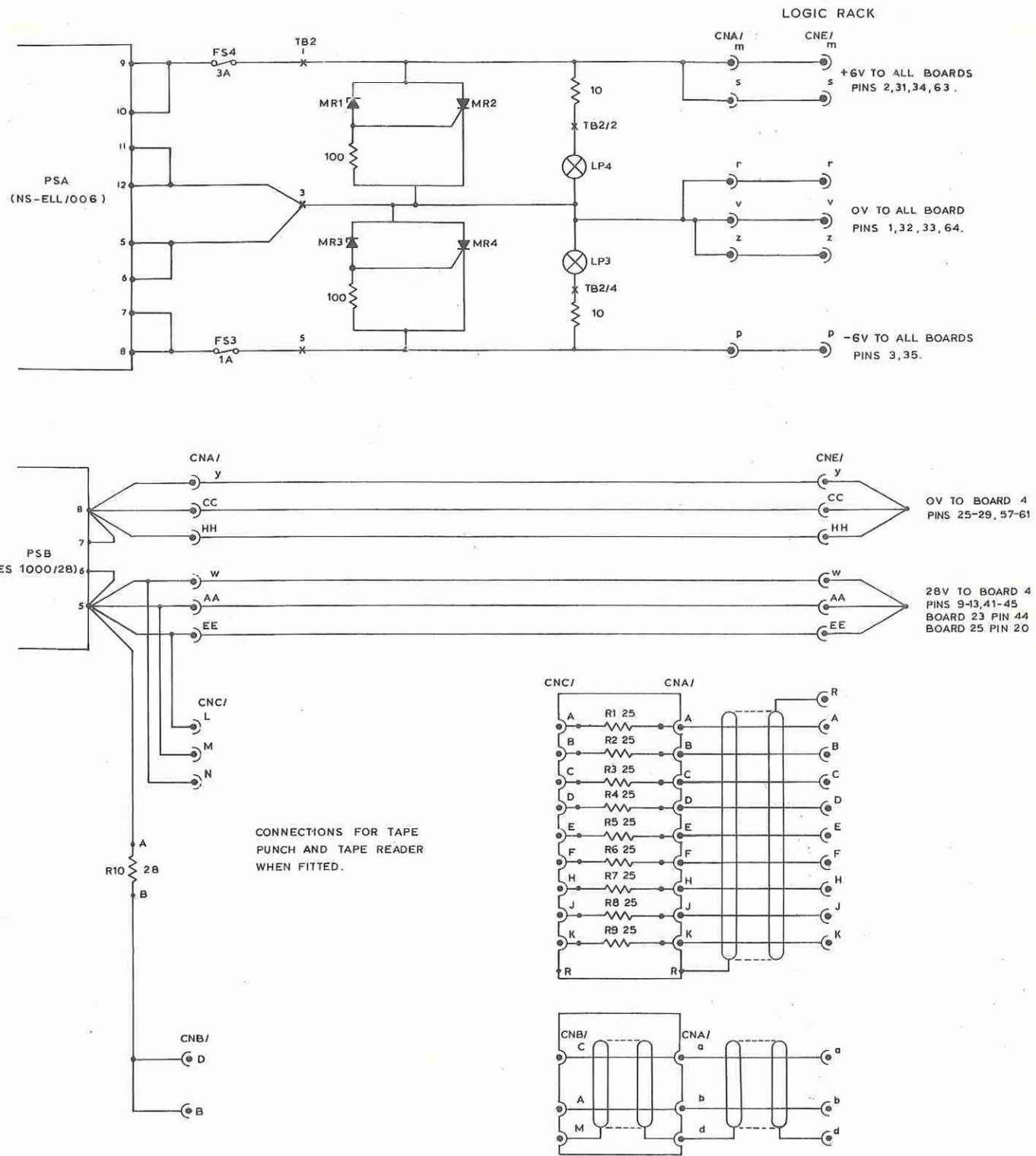
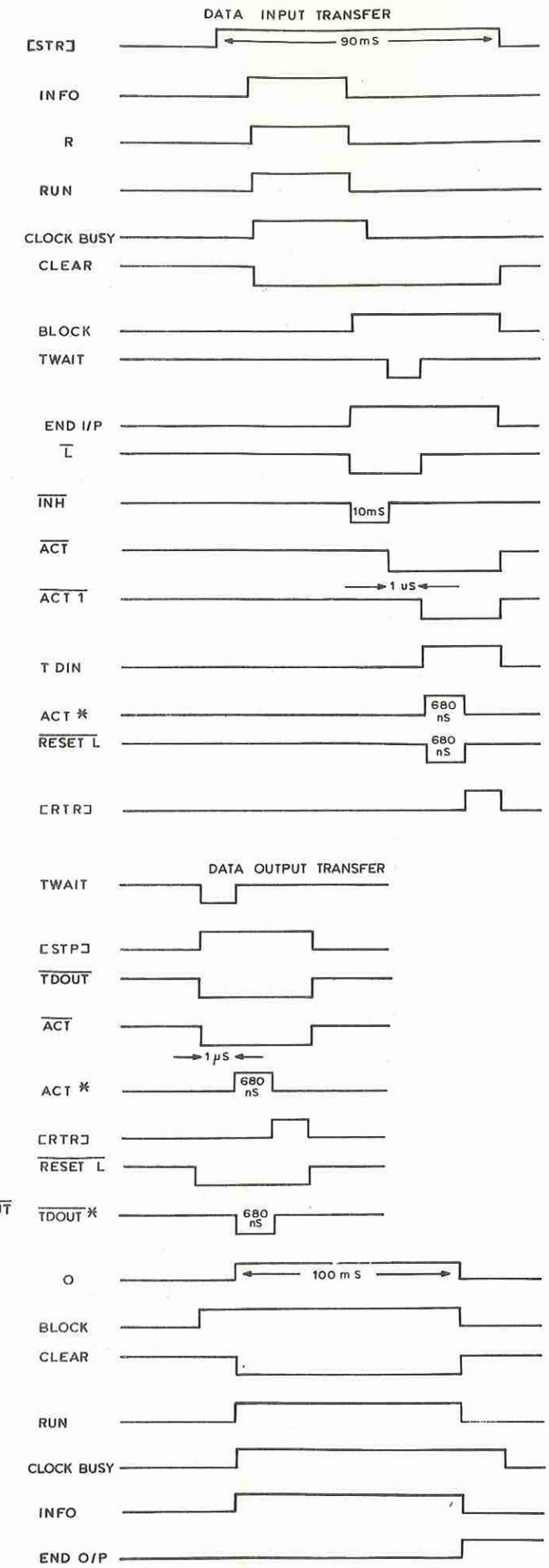
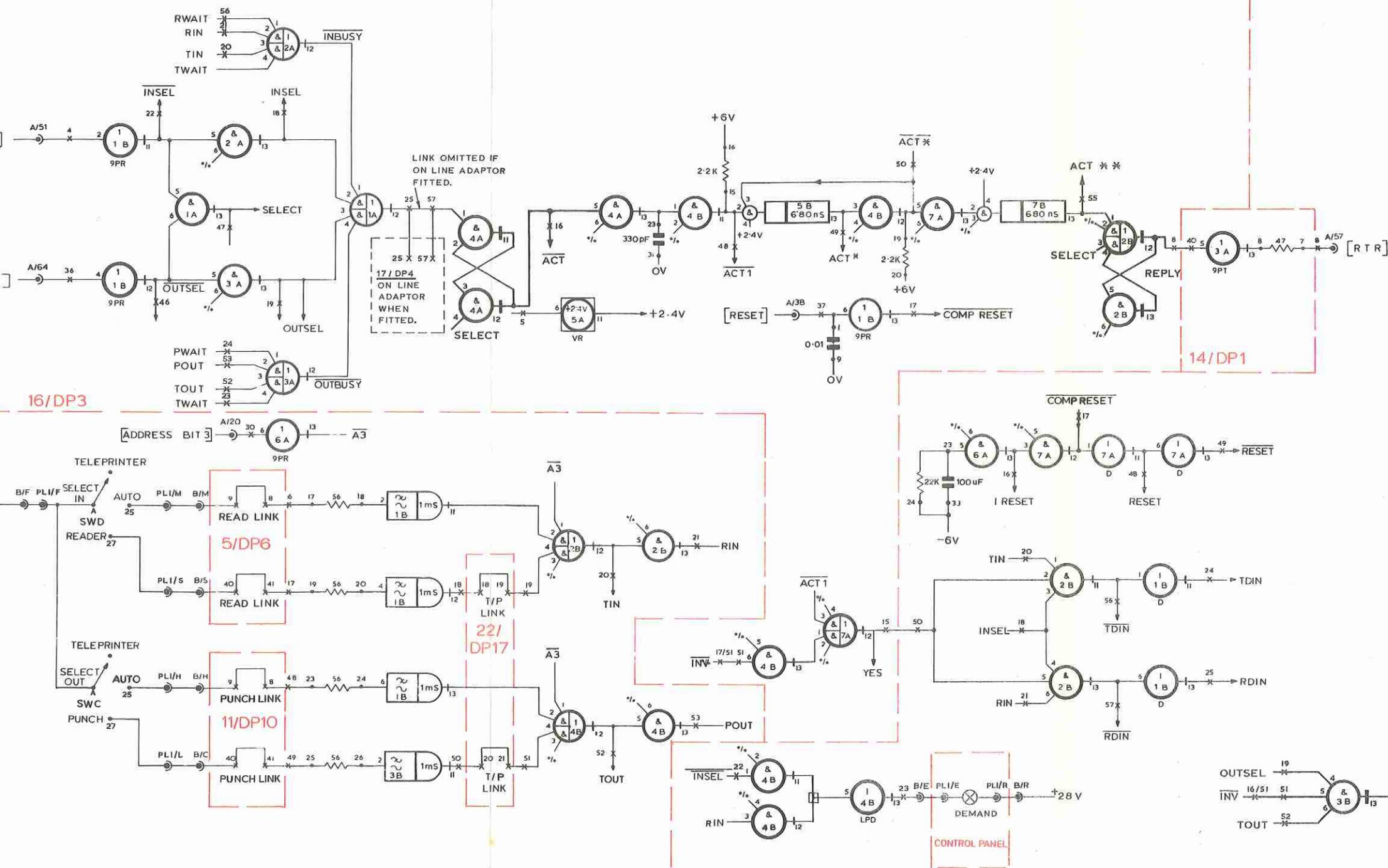


Figure 3 (Issue 3)





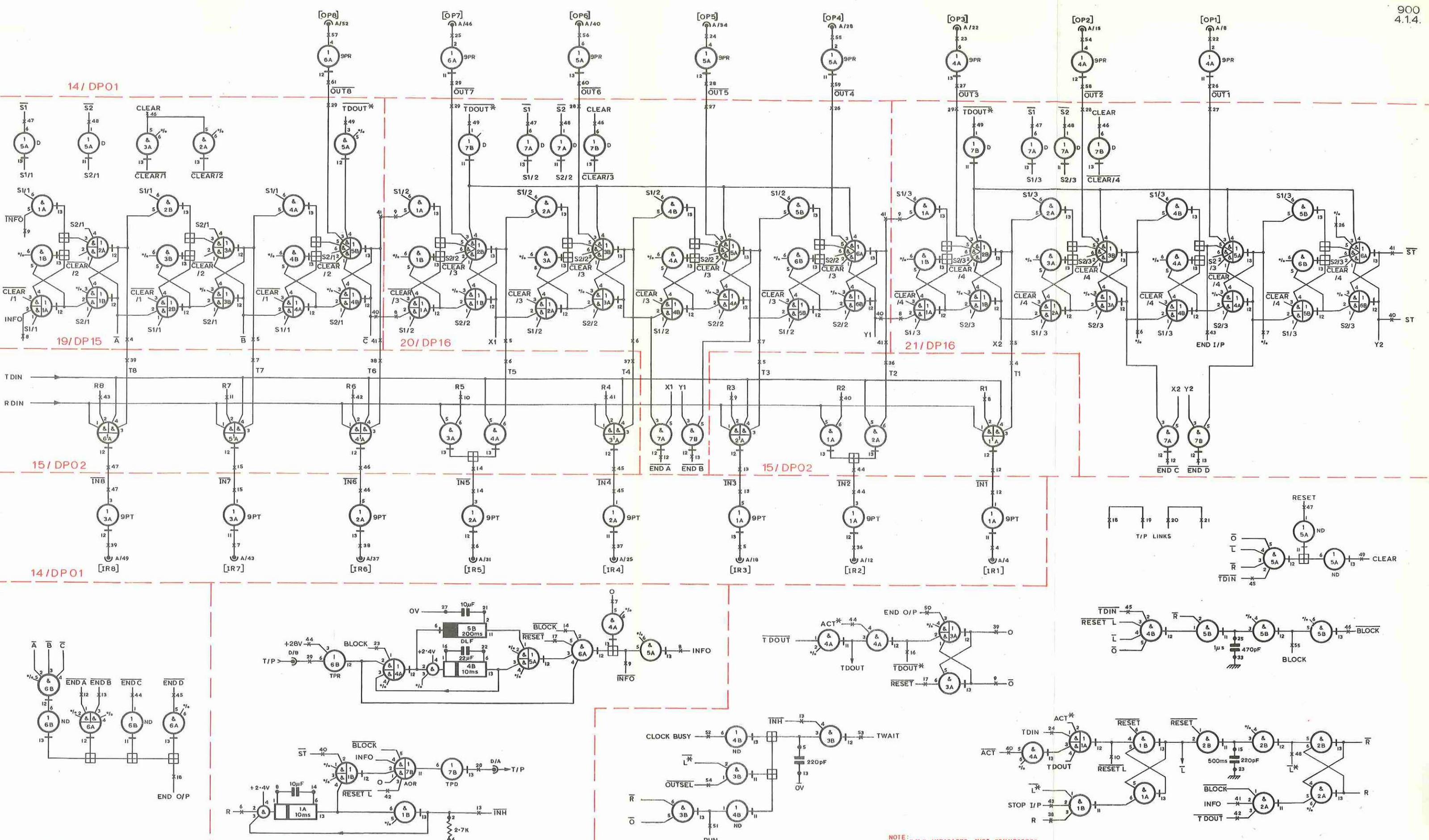


NOTE: "/>

Figure 5 (Issue 3)

SELECTION AND TIMING



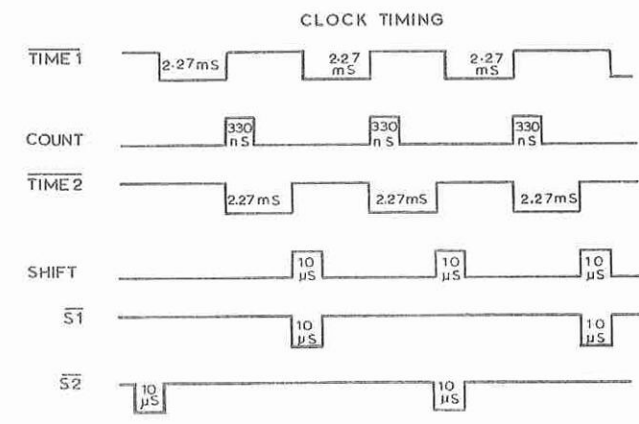
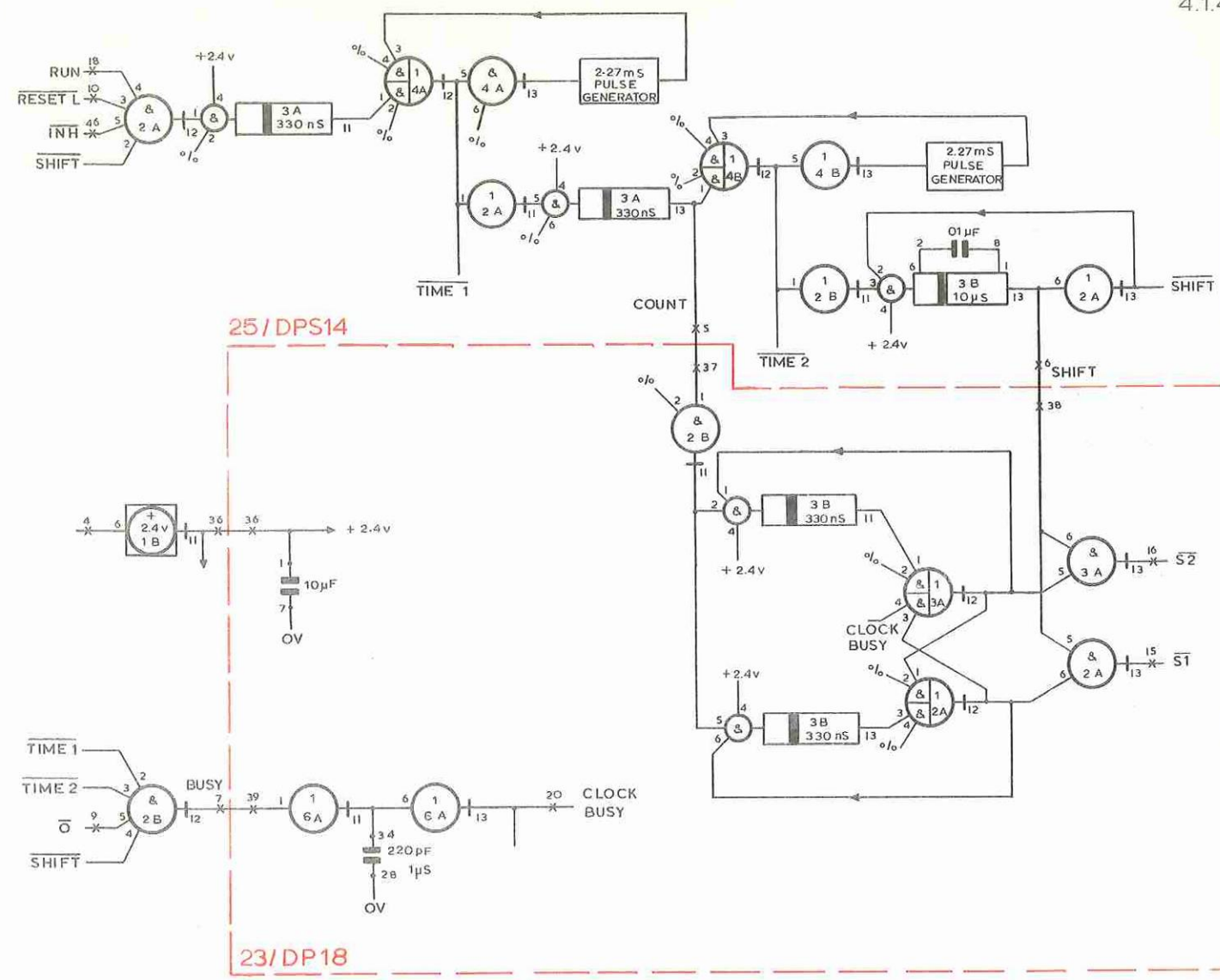


NOTE: "X" INDICATES "NOT CONNECTED"

19/ DP 15  
TELEPRINTER CONTROL LOGIC

Figure 6 (Issue 3)





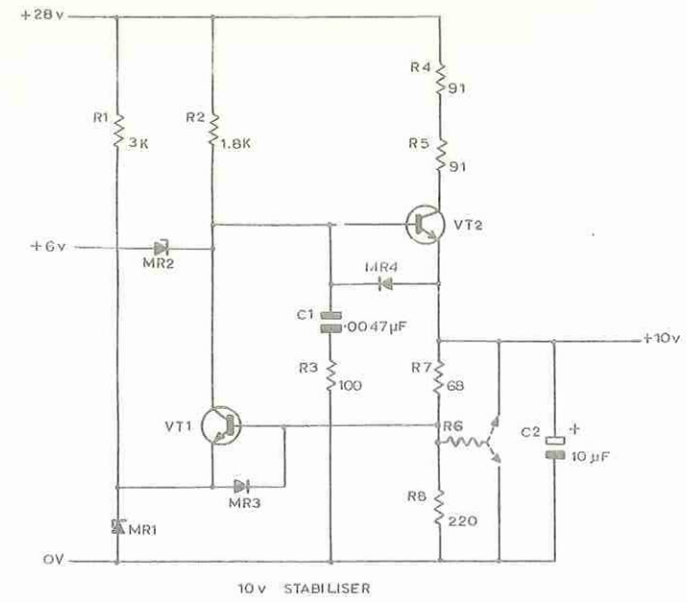
NOTE: "o/o" INDICATES "NOT CONNECTED"

BOARD TYPE	BOARD POSITION	AREA REFERENCE													
		1A	2A	3A	4A	5A	6A	7A	1B	2B	3B	4B	5B	6B	7B
DP1	14	11	11	11	12	12	12		18	06	18	06			
DP2	15	06	06	06	06	06	06	15	15	02	02	26	26		
DP3	16	06	06	06	01	08		06	12	06		01	14	03	14
DP15	19	06	06	06	06	15	06		06	06	06	06	05	03	
DP16	20/21	06	06	06	06	05	05	15	06	05	05	06	06	15	
DP17	22	06	02	06	01	03			02	01	01	03	01		
DP18	23	129	06	06	06	06	03		06	01	13	129	27	29	30
DPS14	25		03	13	06				08	03	129	06			

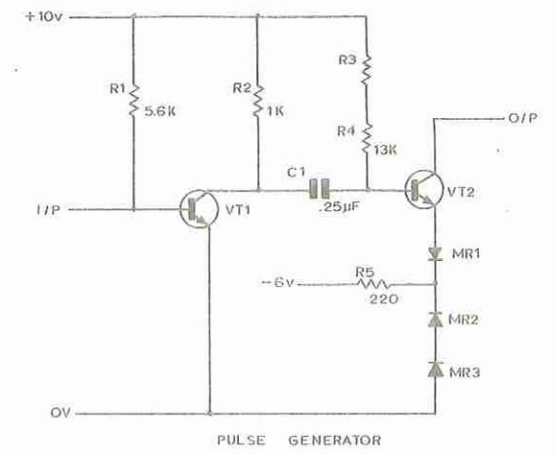
BOARD TYPE	BOARD POSITION	G AREA PAD LOCATION	VALUE	TOL ± %	CAT. No
DP1	14	7/8	47Ω	5	9219
		15/16, 17/18, 19/20			
		21/22, 23/24, 25/26	56Ω	5	9941
DP2	15	23/24	22K	5	9196
		23/33	100μF	5	9151
DP3	16	15/16, 19/20	2.2K	5	9160
		23/31	330pF	5	8479
		1/9	0.01μF	20	7922
DP17	22	5/13, 15/23	220pF	5	9313
		25/33	470pF	5	7044
DP18	23	1/7, 8/14, 21/27	10μF	5	9309
		16/22	22μF	5	9385
		28/34	220pF	5	9313
		2/6	2.7K	5	9161
DPS14	25	2/8	0.01μF	5	7922

- NOTES**
- On all boards decoupling capacitors C1, C2 & C3 are 10μF ± 20%. Catalogue No 9137
  - D.C. Supplies to all boards  
 +6V Pins 2, 31, 34, 63  
 -6V Pins 3, 35  
 0V Pins 1, 32, 33, 64
  - +28V D.C. to 23/44 and 25/20





10 v STABILISER



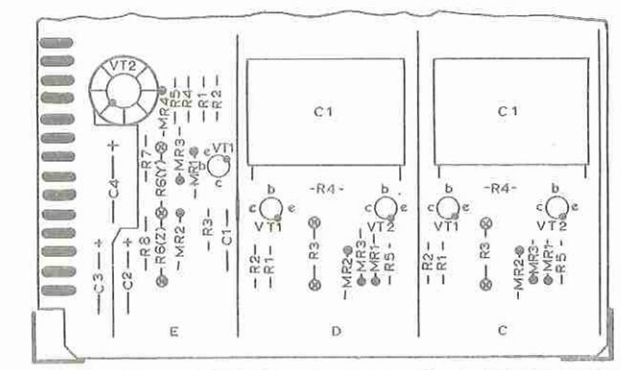
PULSE GENERATOR

10 v STABILISER COMPONENT TABLE				
R	VALUE	TOL ± %	VOLTAGE	CAT. No.
1	3K	5		6015
2	1.8K	5		5675
3	100	5		9370
4,5	91	3		9422
6	SELECT ON TEST	5		
7	68	5		5884
8	220	5		5885
C				
1	0.0047µF	20	125	9830
2	10 µF	20	20	9137
MR			PURCH. SPEC.	
1,2	ZENER DIODE			10993
3,4	DIODE		221	8846
VT				
1	TRANSISTOR		150	7853
2	TRANSISTOR		200	9135

POSITION E

PULSE GENERATOR COMPONENT TABLE				
R	VALUE	TOL ± %	VOLTAGE	CAT. No.
1	5.6K	5		9163
2	1K	5		9159
3	SELECT ON TEST	5		
4	13K	1/4		10779
5	220	5		9204
C				
1	0.25µF	1/2	200	10657
MR			PURCH. SPEC.	
1,2,3	DIODE		221	8846
VT				
1,2	TRANSISTOR		150	7853

POSITIONS C & D



DECOUPLING CAPACITORS C1, C2, C3, ARE 10 µF ± 20% CAT. No. 9137  
C4 10 µF ± 20% CAT. No. 9608